

VIRAGE (S) INLINE HANDLE



Technical Specifications & Testing

Corrosion Resistance
-

Performance
Tested to exceed 50,000 full operating cycles

Material Specifications

Handle Body & Wedge
Cast zinc/Zamak - Nylon (PA6)



Features and Specifications

Virage (S) Inline Handle available in white, black, silver, chrome, and satin chrome finishes.

- Positive stop on offset espagnolette and cockspur to ensure accurate in-line closure
- Key dead locking available for added security
- Locking and non-locking versions available with black button
- In-line espagnolette version for slim line profiles and non-handed applications

Ordering Details & Specifications

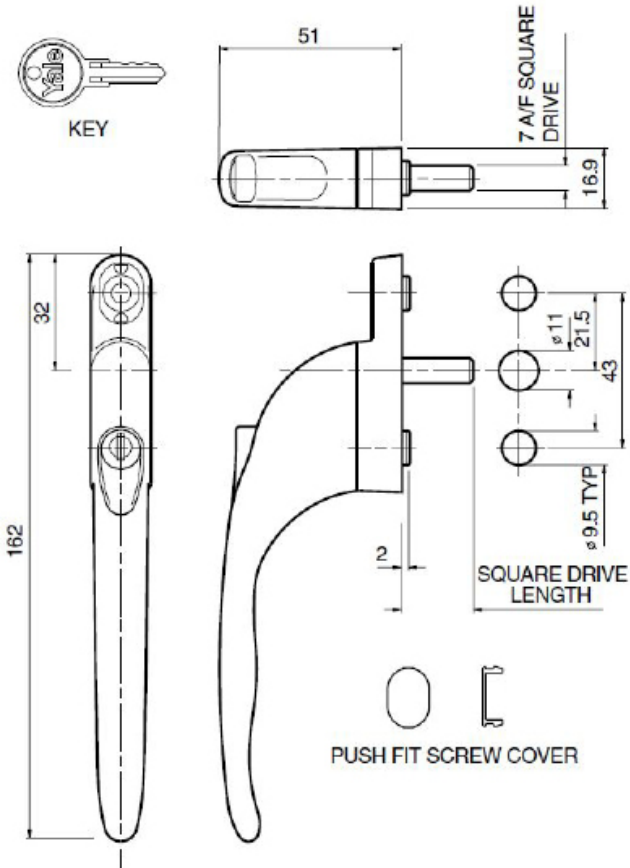
Virage Spindle Handle - Inline
Handle Specifications

Product Code	Color	Locking/ Non Locking	Box Quantity
EI*WH	White	No	25
EI*BK	Black	No	25
EI*CH	Chrome	No	25
EI*SC	Satin Chrome	No	25
EI*SS	Silver	No	25

(*) Square Drive Length (mm) 9, 12, 15, 20, 25, 30, 35, 40, 43, 50, 55

Technical Manual

Additional technical details can be found in the VIRAGE HANDLE technical manual. Available upon request.



VIRAGE (S) OFFSET HANDLE



Technical Specifications & Testing

Corrosion Resistance
-

Performance
Tested to exceed 50,000 full operating cycles

Material Specifications

Handle Body & Wedge
Cast zinc/Zamak - Nylon (PA6)



Features and Specifications

Virage (S) Offset Handle available in white, black, silver, chrome, and satin chrome finishes.

- Positive stop on offset espagnolette and cockspur to ensure accurate in-line closure
- Key dead locking available for added security
- Locking and non-locking versions available with black button
- In-line espagnolette version for slim line profiles and non-handed applications

Ordering Details & Specifications

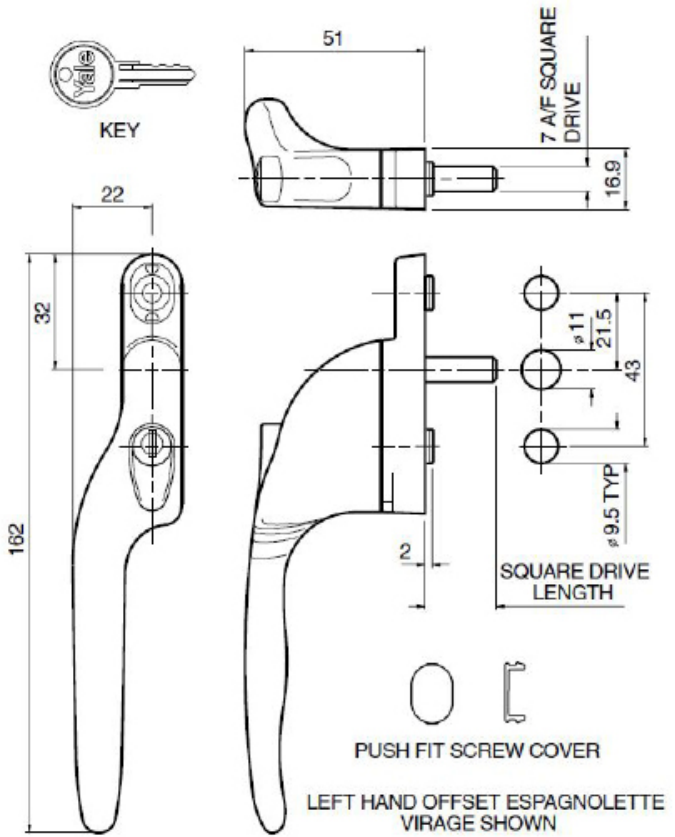
Virage Spindle Handle - Offset
Handle Specifications

Product Code	Color	Locking/ Non Locking	Box Quantity
EC*WH*	White	No	25
EC*BK*	Black	No	25
EC*CH*	Chrome	No	25
EC*SC*	Satin Chrome	No	25
EC*SS*	Silver	No	25

(*) Square Drive Length (mm) 9, 12, 15, 20, 25, 30, 35, 40, 43, 50, 55
 (*) Handing - Add (L) left or (R) right to indicate handing

Technical Manual

Additional technical details can be found in the VIRAGE HANDLE technical manual. Available upon request.



VIRAGE WEDGE HANDLE



Technical Specifications & Testing

Corrosion Resistance
-

Performance
Tested to exceed 50,000 full operating cycles

Material Specifications

Handle Body & Wedge
Cast zinc/Zamak - Nylon (PA6)



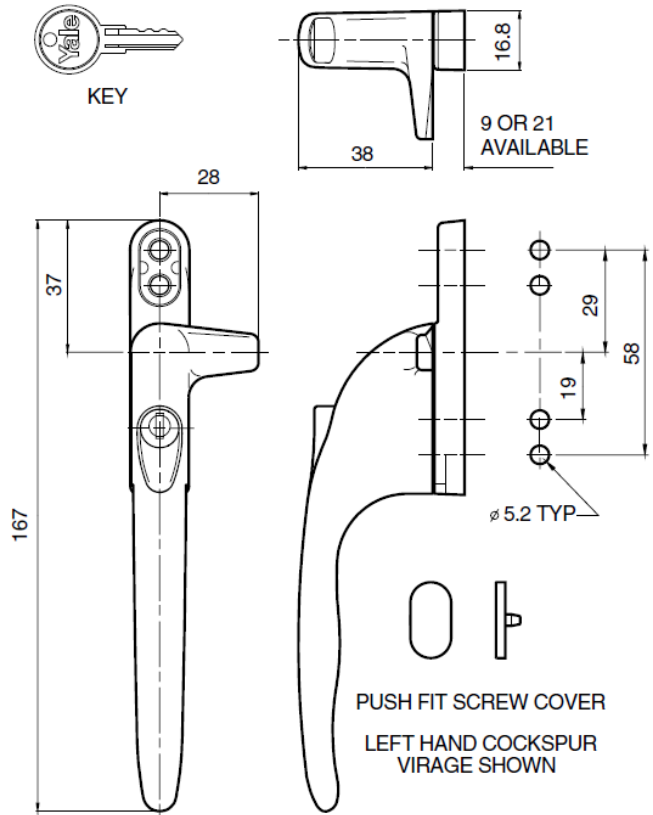
Features and Specifications

Virage Wedge Handle available in white, black, chrome, satin chrome, and silver finishes.

- Positive stop on offset espagnolette and cockspur to ensure accurate in-line closure
- Key dead locking available for added security
- Locking and non-locking versions available with black button
- In-line espagnolette version for slim line profiles and non-handed applications

Ordering Details & Specifications

Virage Wedge Handle Handle Specifications				Nylon Wedge Keepers Handle Specifications		
Product Code	Color	Locking/ Non Locking	Box Quantity	Product Code	Keeper Height (mm)	Box Quantity
C09WH*	White	No	25	R1020*	3	100
C09BK*	Black	No	25	R1021*	4	100
C09CH*	Chrome	No	25	R1022*	5	100
C09SC*	Satin Chrome	No	25	R1023*	6	100
CB09SL*	Silver	No	25	R1473*	7	100
* Insert R for Right Hand, L for Left Hand				R1474*	8	100
				R1475*	9	100
				R1476*	10	100
				* Insert W for White, B for Black		



Technical Manual

Additional technical details can be found in the VIRAGE HANDLE technical manual. Available upon request.