

ELEVATION HANDLE



Technical Specifications & Testing

Corrosion Resistance

Corrosion tested to BS EN 1670

Performance

Tested to exceed 50,000 full operating cycles

Material Specifications

Handle Body & Lever

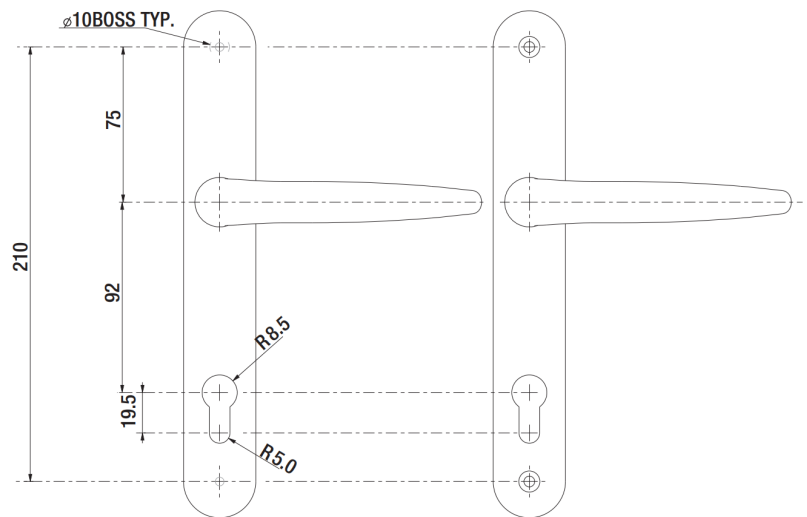
Cast Aluminum, Cast Zinc, PA6



Features and Specifications

The Elevation Handle offers an aesthetically pleasing and ergonomic design with no compromise on performance. The Elevation Door Handle has been manufactured to an extremely high standard which offers outstanding product performance.

- Ergonomic design with sleek Elevation aesthetics
- Incorporates patented spring cassette which eliminates the “drooping handle” effect
- Supplied complete with spring cassette, fixing screws and spindles
- Different back plate variants available to suit most locks
- Available in standard and custom powder coated finishes



Ordering Details & Specifications

Elevation Handle Handle Specifications

Product Code	Color/ Finish	Active/ Inactive Handle	Box Quantity
Y_0750-2001-BK	Black	Active	10
Y_0750-2001-SS	Silver	Active	10
Y_0750-2001-WH	White	Active	10
Y_0750-2008-BK	Black	Inactive	10
Y_0750-2008-SS	Silver	Inactive	10
Y_0750-2008-WH	White	Inactive	10

Custom Colors

Available in custom colors and finishes. Contact WHS Fenestration for more information.

ELEVATION ADA HANDLE



Technical Specifications & Testing

Corrosion Resistance

Corrosion tested to BS EN 1670

Performance

Tested to exceed 50,000 full operating cycles

Material Specifications

Handle Body & Lever

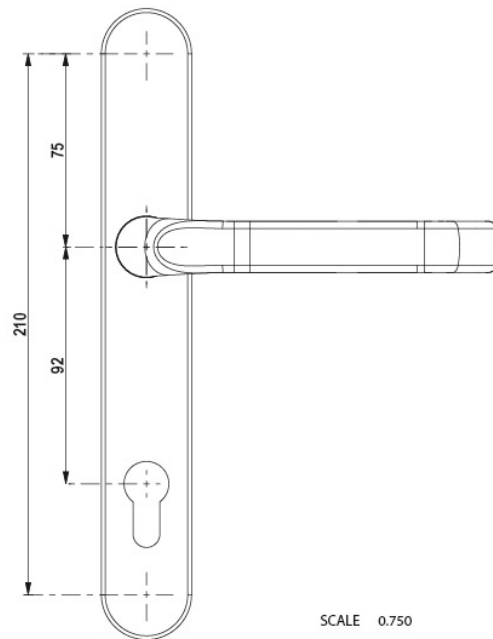
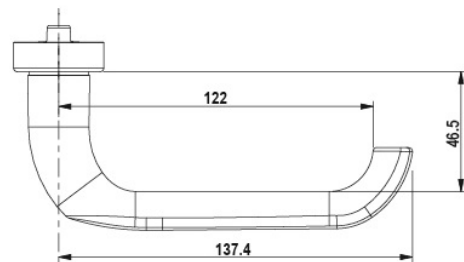
Cast Aluminum, Cast Zinc, PA6



Features and Specifications

The Elevation Handle (ADA) offers an aesthetically pleasing and ergonomic design with no compromise on performance. The Elevation Door Handle has been manufactured to an extremely high standard which offers outstanding product performance.

- Ergonomic design with sleek Elevation aesthetics
- Incorporates patented spring cassette which eliminates the “drooping handle” effect
- Supplied complete with spring cassette, fixing screws and spindles
- Different back plate variants available to suit most locks
- Available in standard and custom powder coated finishes



SCALE 0.750

Ordering Details & Specifications

Elevation Handle

Handle Specifications

Product Code	Color/Finish	Active/Inactive Handle	Box Quantity
Y_0750-2009-BK	Black	Active	10
Y_0750-2009-SS	Silver	Active	10
Y_0750-2009-WH	White	Active	10
Y_0750-2009-BKi	Black	Inactive	10
Y_0750-2009-SSi	Silver	Inactive	10
Y_0750-2009-WHi	White	Inactive	10

Custom Colors

Available in custom colors and finishes. Contact WHS Fenestration for more information.

ELEVATION TILT AND TURN



Technical Specifications & Testing

Corrosion Resistance

Corrosion tested to BS EN 1670

Performance

Tested to exceed 25,000 full operating cycles

Material Specifications

Handle Body & Lever

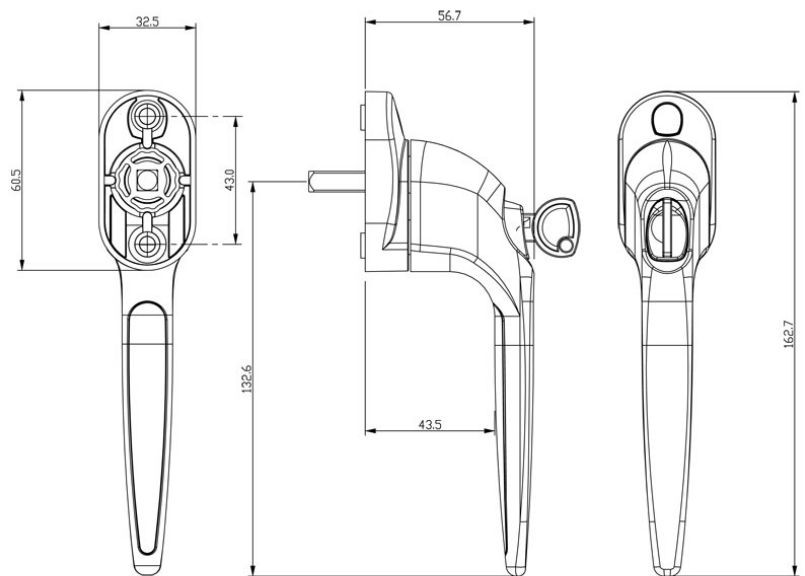
Cast Zinc, Nylon 66 and Acetal



Features and Specifications

The Elevation Tilt and Turn handle offers an attractive design incorporating a soft grip insert and tight radius under the lever to enhance the comfort for the user while providing increased hand clearance from the frame.

- Ergonomic design with sleek Elevation aesthetics
- Push to open, key lockable in closed position
- Complements all products in the Elevation handle range
- Available in standard and custom powder coated finishes



Ordering Details & Specifications

Elevation Tilt Turn Handle

Handle Specifications

Product Code	Spindle Length (mm)	Color/Finish	Locking/Non Locking	Box Quantity
0275-2016-WH-30	30	White	Non	10
0275-2016-BK-30	30	Black	Non	10
0275-2016-SS-30	30	Silver	Non	10

Custom Colors

Available in custom colors and finishes. Contact WHS Fenestration for more information.